

heatmiser®





Dial Type Thermostats

Stylish Dial Type Thermostats

Our range of electronic dial type thermostats are simple to use and offer a greater level of accuracy than standard bi-metallic versions. These thermostats are used in conjunction with a separate programmer.

Headline Information

Mounting Type
Surface mounting:
DS1/DS1-L

Flush mounting:
DS-SB

Temperature Range
05-35°C

Lock Facility
DS1-L

Indication Type
LED: DS1/DS-SB
LCD: DS1-L

Set Back Facility
DS-SB

Dimensions
DS1/DS1-L
92x92x34mm (L,H,D)
DS-SB
92x92x17mm (L,H,D)

E.U. Back Box
DS-SB



Product Ranges

Flush Mount with Set Back Function - DS-SB
1 Model, suitable for radiator and water underfloor heating.

Surface Mount with LED Indication - DS1 Series
2 Models, suitable for water & electric heating systems.

Surface Mount with LCD Indication - DS1-L Series
2 Models, suitable for water & electric heating systems.

Key Features

Set Back Function
Standard dial thermostats are either on or off according to the time clock controlling the system. A set back thermostat is different. It will follow the temperature set on the dial during the timed period and will automatically reduce the set temperature by 4°C when its timed to be off.

Surface Mount for Easy Installation
The DS1 and DS1-L series are surface mounting for easy installation. Modern styling remains in keeping with the rest of the Heatmiser range.

Dial Lock Facility
The DS1-L series offers a dial lock, allowing you to reduce tampering of the heating system. A simple way of reducing your energy costs.

On / Off / Time Clock Switch
A slide switch on the side of the thermostat allows you to switch between On, Permanent Off or Time Clock. In On mode, the thermostat will maintain the set temperature on the dial, but will ignore the time clock input.

Power and Heating Indication
The DS1 series provides power and heating on indication in the form of coloured LEDs.

Temperature Range Limit
On the DS-SB Public thermostat you can limit the temperature range. Adjustment is only possible by removing a screw making the DS-SB Public features ideal for commercial applications. The DS-SB is shipped ready to work in On/Off but can be wired to work in SetBack Mode.



FEATURES

| |
|--|
| Temperature Range |
| Mounting Type |
| Set Back Function |
| Digital Display |
| Time Clock Override Switch |
| Dial Lock |
| Built In Air Sensor |
| Remote Air Sensor |
| Floor Sensing Mode |
| Floor Probe Included |
| Built In Air & Floor |
| Adjustable Switching Differential |
| Range Limit (Screw required to adjust) |
| Accuracy |
| Dimensions |
| Max Switching Current |
| Supply |

AIR ONLY MODELS

| | DS1 | DS1-L | DS-SB | DS-SB Public |
|--|------------|------------|------------|--------------|
| Temperature Range | 05-35 °C | 05-35 °C | 05-35 °C | 05-35 °C |
| Mounting Type | Surface | Surface | Flush | Flush |
| Set Back Function | N | N | Y | Y |
| Digital Display | N | Y | N | N |
| Time Clock Override Switch | N | N | Y | N |
| Dial Lock | N | Y | N | Y |
| Built In Air Sensor | Y | Y | Y | Y |
| Remote Air Sensor | N | N | Y | Y |
| Floor Sensing Mode | N | N | N | N |
| Floor Probe Included | N | N | N | N |
| Built In Air & Floor | N | N | N | N |
| Adjustable Switching Differential | Y | Y | N | N |
| Range Limit (Screw required to adjust) | N | N | N | Y |
| Accuracy | +/- 1.5°C | +/- 1.5°C | +/- 1.5°C | +/- 1.5°C |
| Dimensions | 92x92x34mm | 92x92x34mm | 86x86x19mm | 86x86x19mm |
| Max Switching Current | 3A | 3A | 3A | 3A |
| Supply | 230VAC | 230VAC | 230VAC | 230VAC |



**Public Thermostat
with Range Limit
DS-SB / DS-SB Public**



**Surface Mount
with LCD Indication
DS1-L Series**



**Surface Mount
with LED Indication
DS1 Series**



Slimline Thermostats

Models for Conventional and Floor Heating Systems

Three ranges are available, including our Slimline 230v model, Slimline-E Electric Floor Heating model and our 12v Network Models ideal for those looking to control their system centrally.

Headline Information

Mounting Type
Flush mounting

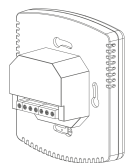
Temperature Range
05-35°C
41-95°F

Lock Facility
Yes - All models

Indication Type
LCD with White Back Light

Dimensions
98x85x16mm (L,H,D)
(13mm Installed)

E.U. Back Box



Product Ranges

230v **230v Model**
Can be used to upgrade existing thermostats and can be used in conjunction with our UH4 and UH8 wiring centres.

12v **12v Network Models**
Have been designed to work as part of a network system, and can be used in conjunction with our UH8-N wiring centre and network products.
*See pages 27 for system overview.

EFM **Electric Floor Model**
Supplied with a remote floor sensor, the Slimline-E offers the ability to measure room temperature, floor temperature or both. The Slimline-E is rated at 16A making it ideal for electric floor heating.

Key Features

Modern Slimline Appearance
The slimline thermostat series is flush mounting, resulting in a depth of only 13mm after installation.

Holiday Function
Reduces the set temperature in your home for the duration of your holiday and returns to programmed settings to ensure your home is warm on your return.

Temperature Override
Allows you to adjust the desired temperature in your home without the need to fully re-program the thermostat. This new set temperature will be maintained until the next programmed setting.

Frost Protection
A function designed to protect your home against frost. An adjustable frost temperature level can be programmed, between 7°C - 17°C, ensuring your home is always protected against the elements whilst you are away.

Energy Saving Optimum Start
Calculates the amount of heat up time required to ensure your home is warm when you wake and return home. This is automatically optimised throughout the year to save you money.

Temperature Hold Facility
Allows you to hold a set temperature for a specific duration - ideal for parties. After which, the thermostat will revert back to the programmed setting.



FEATURES

230V

12V

ELECTRIC FLOOR MODEL

| | Slimline | Slimline-N | Slimline-HW-N | Slimline-E |
|-----------------------------------|----------------------|----------------------|----------------------|----------------------|
| Temperature Range | 05-35 °C 41-95 °F | 05-35 °C 41-95 °F | 05-35 °C 41-95 °F | 05-35 °C 05-95 °F |
| White Back Lit Screen | Y | Y | Y | Y |
| 5/2 Day Programming Mode | Y | Y | Y | Y |
| 7 Day Programming Mode | Y | Y | Y | Y |
| Number of Heating Levels | 4 | 4 | 4 | 4 |
| Optimum Start | Y | Y | Y | Y |
| Number of HW Times | N | N | Y | N |
| Holiday Function | Y | Y | Y | Y |
| Keylock Function | Y | Y | Y | Y |
| Temperature Hold Function | Y | Y | Y | Y |
| Temperature Override | Y | Y | Y | Y |
| Temperature Override Limit | Y | Y | Y | Y |
| Frost Protection | Y | Y | Y | Y |
| Networking Facility | N | Y | Y | N |
| °C / °F Option | Y | Y | Y | Y |
| Remote Air Sensor Connection | Y | Y | N | Y |
| Remote Air Sensor Included | N | N | N | N |
| Built In Air Sensor | Y | Y | Y | Y |
| Floor Sensing Mode | N | Y | N | Y |
| Floor Sensor Included | N | N | N | Y |
| Max Switching Current | 3A | 3A | 3A | 16A |
| Accuracy | +/-1 °C | +/-1 °C | +/-1 °C | +/-1 °C |
| Adjustable Switching Differential | Y | Y | Y | Y |
| Supply | 230VAC | 12VDC | 12VDC | 230VAC |
| Installed Dimensions | 98x85x13mm(L,H,D) | 98x85x13mm(L,H,D) | 98x85x13mm(L,H,D) | 98x85x13mm(L,H,D) |



Thimble Sensor

Part Ref: Heatmiser Thimble Sensor
 The Heatmiser Thimble sensor is ideal for discrete temperature monitoring and is compatible with all Heatmiser Thermostats with a remote sensor connection.
Supplied with a 3 meter Cable.



Remote Sensor Probe

Part Ref: Heatmiser MISC103
 This remote sensor probe can be used to measure air and floor temperature. This probe is supplied with a 3 meter cable which can be extended to 20 meters if required.



Edge Thermostats

Models for Conventional, Floor Heating and Fan Coil Systems

The edge is our 3A conventional heating model whereas the edge-e has been designed for electric floor heating. Fan Coil systems are catered for with the Edge-HC and Edge-HC Modbus

Headline Information

Mounting Type
Flush mounting

Temperature Range
05-35°C
41-95°F

Lock Facility
Yes – PIN Code

Indication Type
LCD with White Back Light

Dimensions
90x90x40mm

Key Features

Modern Appearance
The Edge Thermostat Series has been designed to offer an ultra slim profile after installation. With a depth of only 15mm once installed, the floating edge design of the edge series will complement the décor in any home.

Wireless Air Sensor Function (excluding edge-HC)
A wireless air sensor function is available with 2 operating modes. A single wireless air sensor can be used to measure the air temperature from a different location to the thermostat or a wireless air sensor can be used in conjunction with the built in thermostat sensor to provide an averaged air temperature.

Modbus Connection
The Edge Thermostat Series offer a Modbus RTU RS-485 Network connection, allowing control of up to 32 thermostats from a central system master. (Excluding edge-HC)

Door & Window Contact (excluding edge-HC)
With rising energy costs, it really doesn't make sense to heat the street when we have our windows and doors open.

PIN Code
Locking the Edge Thermostats with a 4-digit PIN Code is the best way to save energy, giving access to only those that require it.

Energy Saving Optimum Start
Calculates the amount of heat up time required to ensure your home is warm when you wake and return home. This is automatically optimised throughout the year to save you money.

Temperature Hold Facility
Allows you to hold a set temperature for a specific duration – ideal for parties. After which, the thermostat will revert back to the programmed setting.

EFM Electric Floor Model (edge-e)
Supplied with a 3M floor probe, the edge-e offers the ability to measure room temperature, floor temperature or both. The edge-e is rated at 16A making it ideal for electric floor heating.

Holiday Function
Reduces the set temperature in your home for the duration of your holiday and returns to programmed settings to ensure your home is warm for your return.

Fan Coil Support
The edge-HC and Edge-HC Modbus have been designed specifically for fan coil systems, offering support for 2 and 4 pipe systems.



FEATURES

230V

ELECTRIC FLOOR MODEL

FAN COIL SYSTEMS

| | Edge | Edge-E | Edge-HC | Edge HC Modbus |
|-----------------------------------|-----------------|-----------------|-------------------|-----------------------|
| Heating and Cooling | N | N | Y | Y |
| Heating Temp Range | 05-35°C 41-95°F | 05-35°C 41-95°F | 05-35°C 41-95°F | 05-35°C 41-95°F |
| Cooling Temp Range | NA | NA | 18-35°C - 64-95°F | 18-35°C - 64-95°F |
| White Backlight | Y | Y | Y | Y |
| Heating Only | Y | Y | Y | Y |
| Timer Only | Y | Y | N | N |
| Fan Speed Control | N | N | Y | Y |
| Non Programmable | Y | Y | Y | Y |
| 24 hour Programming | Y | Y | Y | Y |
| 5/2 Day Programming | Y | Y | Y | Y |
| 7 Day Programming | Y | Y | Y | Y |
| Number of Heating Levels | 4 or 6 | 4 or 6 | 4 or 6 | 4 or 6 |
| Number of Timer Levels | 4 | 4 | NA | NA |
| Optimum Start | Y | Y | Y | Y |
| Holiday Function | Y | Y | Y | Y |
| Temperature Hold Function | Y | Y | Y | Y |
| Temperature Override | Y | Y | Y | Y |
| Override Limit | Y | Y | Y | Y |
| Frost Protection | Y | Y | Y | Y |
| Modbus Connectivity | Y | Y | N | Y |
| C/F Option | Y | Y | Y | Y |
| Wireless Air Sensor | Y | Y | N | Y |
| Wireless Door Contact | Y | Y | N | Y |
| Built in Air Sensor | Y | Y | Y | Y |
| Floor Sensing Mode | Y | Y | N | N |
| Floor Sensor Included | N | Y | N | N |
| Max Switching Current | 3A | 16A | 3A | 3A |
| Accuracy | +/-1°C | +/-1°C | +/-1°C | +/-1°C |
| Adjustable Switching Differential | Y | Y | Y | Y |
| Supply | 230V AC | 230V AC | 230V AC | 230V AC |
| Installed Dimensions | 90x90x15mm | 90x90x15mm | 90x90x15mm | 90x90x15mm |
| Key Card Input Override | N | N | Y | N |



Wireless Door & Window Contact Switch
Wireless Air Sensor

Not compatible with the edge-HC.



TouchScreen Thermostats

The Touch Series can be paired to the optional remote air / door contact sensor, offering a more efficient way of controlling your heating system. The neoUltra can be used as a standalone thermostat or as a central controller for the Multi Zone Neo System.

Headline Information

Mounting Type
Flush mounting

Temperature Range
05-35°C
41-95°F

Lock Facility
Yes - All models

Indication Type
LCD with White Back Light

Adjustable Switching Differential
0.5-3°C

Dimensions
107x86x15mm (L,H,D)

Key Features

5/2 & 7 Day Programming
5/2 Day mode is ideal for those who keep to one schedule Monday - Friday and another for the weekend. 7 Day mode allows you to have a different schedule for each day of the week. Ideal for families with changing schedules.

Modbus Connection
The Touch Series offer a Modbus RTU RS-485 Network connection, allowing control of up to 32 thermostats from a central system master.

Door & Window Contact (Touch Series)
With rising energy costs, it really doesn't make sense to heat the street when we have our windows and doors open.

Frost Protection
A function designed to protect your home against frost. An adjustable frost temperature level can be programmed, between 7°C - 17°C, ensuring your home is always protected against the elements whilst you are away.

Adjustable Switching Differential
Our TouchScreen Series has an adjustable switching differential from 0.5°C - 3°C. This function allows you to get even tighter control of your heating system.

Wireless Air Sensor (Touch Series)
A wireless air sensor function is available with 2 operating modes. A single wireless air sensor can be used to measure the air temperature from a different location to the thermostat or a wireless air sensor can be used in conjunction with the built in thermostat sensor to provide an averaged air temperature, perfect for larger rooms.



Touch



neoUltra



FEATURES

TOUCH SERIES

NEO

| | Touch | Touch-e | neoUltra |
|-----------------------------------|-----------------|-----------------|-----------------|
| Heating Temp Range | 05-35°C 41-95°F | 05-35°C 41-95°F | 05-35°C 41-95°F |
| White Backlight | Y | Y | N |
| Negative LCD | N | N | N |
| Full Colour TFT LCD | N | N | Y |
| Heating & Timer Mode | Y | Y | Y |
| Non Programmable Mode | Y | Y | Y |
| 24 Hour Programming | Y | Y | Y |
| 5/2 Day Programming | Y | Y | Y |
| 7 Day Programming | Y | Y | Y |
| Number of Heating Levels | 4 or 6 | 4 or 6 | 4 or 6 |
| Number of Hot Water Levels | 4 | 4 | 4 |
| Optimum Start | Y | Y | Y |
| Holiday Feature | Y | Y | Y |
| Temperature Hold Function | Y | Y | Y |
| Temperature Override | Y | Y | Y |
| Override Limit | Y | Y | Y |
| Frost Protection | Y | Y | Y |
| Modbus Connectivity | Y | Y | N |
| Central Control of Neo System | N | N | Y |
| C/F Option | Y | Y | Y |
| Wireless Air Sensor | Y | Y | N |
| Wireless Door Contact | Y | Y | N |
| Built in Air Sensor | Y | Y | Y |
| Floor Sensing Mode | Y | Y | Y |
| Floor Sensor Included | N | Y | N |
| Max Switching Current | 3A | 16A | 3A |
| Accuracy | +/-1°C | +/-1°C | +/-1°C |
| Adjustable Switching Differential | Y | Y | Y |
| Supply | 230V AC | 230V AC | 230V AC |
| Installed Dimensions | 107X86X15mm | 107X86X15mm | 107x89x17mm |

Optional Accessories - (Compatible with the Touch series only)



Thimble Sensor



Remote Sensor Probe



Wireless Air Sensor



Wireless Door & Window Contact Switch



Battery Thermostat

Slimline design to compliment any environment

Headline Information

Mounting Type

Battery Thermostats:
Surface mounting

Time Clocks:

Flush mounting

Battery Thermostat Temperature Range

05-35°C

Lock Facility

Yes - All models

Indication Type

LCD with White Back Light

Dimensions

Battery Thermostats:

86x99x24mm (L,H,D)

Slimline Time Clocks:

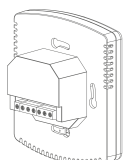
98x85x16mm (L,H,D)

TouchScreen Time Clocks:

92x92x17mm (L,H,D)

E.U. Back Box

Time Clock Only



Our battery thermostat provides a viable upgrade route for those with an existing thermostat working on a 2 wire system. The design follows our Slimline Thermostat Series with non programmable and programmable modes selectable in software.

Key Features



Battery powered

Powered from 2 x AAA Batteries – suitable for 2 wire heating systems.



Optimum Start

A feature whereby the thermostat calculates the amount of heat up time required, is standard on the Slimline-B.



Surface mount

Our battery thermostats are surface mounted for easy installation, making them perfect for the retrofit market.



Key Lock Function

Our battery thermostats are equipped with a key lock helping to prevent energy usage by restricting access.

FEATURES

| | |
|-----------------------------------|---------|
| 5/2 Day Programming Mode | Y |
| 7 Day Programming Mode | Y |
| Number of Heating Levels | 4 |
| Optimum Start | Y |
| Holiday Function | Y |
| Keylock Function | Y |
| Temperature Hold Function | Y |
| Temperature Override Limit | Y |
| Frost Protection | Y |
| °C / °F Option | Y |
| Built In Air Sensor | Y |
| Accuracy | +/-1°C |
| Adjustable Switching Differential | Y |
| Supply | 2 x AAA |

BATTERY THERMOSTATS

| | Slimline-B |
|-----------------------------------|------------|
| 5/2 Day Programming Mode | Y |
| 7 Day Programming Mode | Y |
| Number of Heating Levels | 4 |
| Optimum Start | Y |
| Holiday Function | Y |
| Keylock Function | Y |
| Temperature Hold Function | Y |
| Temperature Override Limit | Y |
| Frost Protection | Y |
| °C / °F Option | Y |
| Built In Air Sensor | Y |
| Accuracy | +/-1°C |
| Adjustable Switching Differential | Y |
| Supply | 2 x AAA |



Battery Thermostat
Part Ref: Heatmiser Slimline-B



Time Clocks

Simple to use Single and 4 Channel Time Clocks



Slimline Time Clock
Part Ref: Heatmiser TM1



TouchScreen TimeClock
Part Ref: Heatmiser TM4

FEATURES

| | |
|----------------------------|--|
| Back Lit Screen | |
| Keypad/TouchScreen | |
| Number of Zones | |
| 5/2 Day Programming Mode | |
| 7 Day Programming Mode | |
| Number of Switching Times | |
| + Boost Facility | |
| Auto/Off/Constant Facility | |
| Copy Facility | |
| Countdown Timer Function | |
| Holiday Function | |
| Keylock Function | |
| Manual Override | |
| Networking Facility | |
| Max Switching Current | |
| Changeover Output Option | |
| Supply | |

TIME CLOCKS 230V MODELS

| | TM1 | TM4-TS |
|----------------------------|--------|-------------|
| Keypad | Keypad | TouchScreen |
| Number of Zones | 1 | 4 |
| 5/2 Day Programming Mode | Y | Y |
| 7 Day Programming Mode | Y | Y |
| Number of Switching Times | 4 | 4 |
| + Boost Facility | N | Y |
| Auto/Off/Constant Facility | N | Y |
| Copy Facility | N | Y |
| Countdown Timer Function | Y | N |
| Holiday Function | Y | Y |
| Keylock Function | Y | Y |
| Manual Override | Y | Y |
| Networking Facility | N | N |
| Max Switching Current | 3A | 3A |
| Changeover Output Option | Y | N |
| Supply | 230VAC | 230VAC |

TIME CLOCKS 12V NETWORK MODELS

| | TM1-N |
|----------------------------|--------|
| Keypad | Keypad |
| Number of Zones | 1 |
| 5/2 Day Programming Mode | Y |
| 7 Day Programming Mode | Y |
| Number of Switching Times | 4 |
| + Boost Facility | N |
| Auto/Off/Constant Facility | N |
| Copy Facility | N |
| Countdown Timer Function | Y |
| Holiday Function | Y |
| Keylock Function | Y |
| Manual Override | Y |
| Networking Facility | Y |
| Max Switching Current | 3A |
| Changeover Output Option | N |
| Supply | 12VDC |

Product Ranges

230v

230v Models

Are designed to work with our UH8 wiring centre and dial thermostat with set back function, providing simple but effective control.

12v

12v Network Models

Have been designed to work as part of a network system, and can be used in conjunction with our UH8-N wiring centre and network products.



Key Features



Number of Zones

A single zone can be controlled on the TM1 series and 4 zones can be controlled on the TM4 series.



Number of Switching Times

4 On/Off times are provided on all time clock models, allowing flexible control of your heating system.



On/Off/Constant

A mode select button providing an easy method of switching between permanent on, permanent off or auto (time clock mode) TM4 only.



Countdown Timer

A simple yet useful function that enables the output for the duration of the programmed countdown time.



+ Boost Facility

This programmable function allows you to extend the program time, in 30 minute increments - ideal for unscheduled operation of the system.



From Towel Rails to Lighting

All time clock models can be used to control anything - not just your heating system. In fact, those using our networking system can control each time clock independently from the TouchPad or over the internet, so it makes sense to use one of our time clocks wherever you want complete control.



Wireless Thermostats

Wireless design for easy installation

Wiring a conventional thermostat often includes lifting floor-boards or chasing out plaster work. Our wireless thermostats offer an effective alternative, and are the ideal choice for extensions or when you are looking to relocate your thermostat.

Headline Information

Mounting Type

Slimline-RF:
Wall

Temperature Range

05-35°C
41-95°F

Lock Facility

Yes - All models

Indication Type

LCD with Back Light

Dimensions

neoAir:
86x86x26mm (L,H,D)

Battery Thermostats:
86x99x24mm (L,H,D)

Key Features

Relocate

Many thermostats are sited incorrectly, causing your boiler to come on more than necessary. A wireless thermostat allows you to move your thermostat to a more suitable position, without the need to run additional cables. What's more, our neoAir model has an optional stand enabling you to move the thermostat around the house with you.

Key Lock Function

A simple way to reduce tampering of the system settings, and standard across our wireless thermostat series.

App Control

Up to 32 neoAir or a mixture of neoAir and neoStat can be paired to a neoHub to offer local and remote control of the multi zone heating system. neoAir are perfect for extensions or areas where a wired thermostat isn't possible.

Compatible Receivers

Our Wireless thermostats are compatible with our 2 channel RF-Switch and 8 zone UH8-RF wireless receivers.

Fail Safe

A loss of wireless connection could leave your home vulnerable to frost damage. The fail safe function enables the heating for 20% of the time, ensuring the temperature in your home does not drop to dangerous levels.

Replaceable Batteries

The Slimline RF and neoAir use standard AAA batteries.



Slimline RF



neoAir



FEATURES

Slimline-RF

neoAir

Compatible Receivers

RF Switch

Y

Y

UH8-RF

Y

Y

App Control

N

Y

Operating Type

Button

Touch Key

Temperature Range

05-35 °C - 41-95 °F

05-35 °C - 41-95 °F

Heating Only Mode (Selectable by User)

Y

Y

Timer Only Mode

N

Y

Heating & Hot Water Mode (Selectable by User)

Y

Y

Non Programmable Mode

Y

Y

5/2 Day Programming Mode

Y

Y

7 Day Programming Mode

Y

Y

Number of Heating Levels

4

4

Optimum Start

Y

Y

Number of HW Times

4

4

Holiday Function

Y

Y

Keylock Function

Y

Y

Temperature Hold

Y

Y

Temperature Override

Y

Y

Frost Protection

Y

Y

C/F Function

Y

Y

Built in Air Sensor

Y

Y

Remote Air Sensor Connection

Y

Y

Accuracy

+/-1°C

+/-1°C

Adjustable Switching Differential

Y

Y

Wireless Fail Safe Function

Y

Y

RF Frequency

868MhZ

868MhZ

RF Range (UH8-RF/RF Switch)

Up to 100M

Up to 100M

App Data Range

N/A

Up to 30M

Power

2 X AAA

4 X AAA

Battery Lifetime

1 Year

1 Year

USB Power Lead Included

N

N

Mounting Type

Wall

Wall/Stand

Dimensions

85mm(L) x 98mm (H) x 24mm

86mm(L) x 86mm (H) x 26mm



Wireless Receivers

Our wireless receivers are designed to work with our wireless thermostats and are ideally suited for water underfloor heating and conventional heating systems.

Headline Information

Mounting Type
RF Switch / Boost
UH8-RF

Surface Mounting

Indication Type
LED

Dimensions
RF Switch / Boost
108x90x24mm (L,H,D)
UH8-RF:
384x148x60mm (L,H,D)

Compatibility
Button Wireless Thermostat
Part Ref: Slimline-RF

App Wireless Thermostat
Part Ref: neoAir



Heatmiser RF Switch

The Heatmiser RF Switch is our surface mount 2 channel RF Receiver compatible with the Slimline-RF and neoAir Thermostats.

A single Slimline-RF or neoAir in Heating Only mode or a single Slimline-RF or neoAir in Heating/Hot Water mode can be paired to the RF Switch.

In addition to the two changeover contacts for the heating and hot water circuits, the RF Switch provides a volt free switch for the boiler.

The RF Switch can be paired to multiple UH8-RF, providing a wireless link for the boiler signal.



8 Zone Wiring Centre
Part Ref: Heatmiser UH8-RF

Heatmiser Boost

The Heatmiser Boost is our surface mount 230v powered wireless repeater for the RF and Neo systems designed to extend the communication distance between the thermostat and receiver.



FEATURES

| |
|-----------------------------------|
| Mounting Type |
| Compatible with |
| Number of Channel |
| Fail Safe |
| Power |
| Rating |
| Optional Extendable Aerial |
| Operating Frequency |
| Range(Open Space) |
| Pump Output |
| Zone, HW & Pump Output Test Mode |
| Boiler Enable |
| HW Cylinder Thermostat Connection |
| Per Zone UFH / Radiator Selection |

RF-Switch

| |
|--------------------|
| Surface |
| Slimline-RF/neoAir |
| 2 |
| Y |
| 230V AC |
| 3A |
| N |
| 868MHz |
| 100M |
| N |
| N |
| Y |
| N |
| N |

UH8-RF

| |
|--------------------|
| Surface |
| Slimline-RF/neoAir |
| 8 |
| Y |
| 230V AC |
| 3A |
| Y |
| 868Mhz |
| 100M |
| Y |
| Y |
| Y |
| Y |

Wireless Wiring Centre



Wireless 230v 8 Zone Wiring Centre

Part Ref: Heatmiser UH8-RF

The UH8-RF is designed to be used in conjunction with our Slimline-RF and neoAir Wireless Thermostats.

The UH8-RF provides central switching and is therefore ideally situated next to the underfloor heating manifold. Eight zones can be controlled as well as providing an output for a hot water cylinder. On demand from any zone, a 230v output is provided to switch the relevant zone actuators, underfloor heating pump and valve. A volt free connection is supplied for the boiler making it compatible with almost all types of boilers. The RF Switch can also be paired to multiple UH8-RF providing a wireless link for the boiler enable signal.

Up to 6 actuators can be connected to each zone. An external aerial is available for use when the UH8-RF is being mounted in a metal cupboard or when the wireless signal is restricted.

A software option in the thermostat allows you to configure which zones are underfloor heating and which zones are radiators. Radiator zones will not enable the underfloor heating pump and underfloor heating valve when there is a call for heat.



neo Multi Zone App

With Neo you can control your heating and hot water from anywhere using your SmartPhone or Tablet. The neoApp can operate with conventional heating including water and electric based underfloor heating as well as 2&4 Pipe Fan Coil Heating and Cooling Systems.

HEATING



Multi Zone Control

The neoApp can provide control of up to 32 zones that can be easily titled in the app. What's more, you can take control of your appliances with the help of the neoPlug and neoStat-hw.



Smart Profiles

The neoApp allows you to program a number of heating profiles that are stored in the neoHub for future use. Once selected, any zone using a profile will be updated automatically whenever the profile is changed.



Geo Location

Geo Location in Neo is an energy saving feature that works in the background. Neo will turn off your heating when you leave whilst ensuring your home is warm for your return.



FAN COIL



Support for 2&4 Pipe Systems

The neoApp is fully compatible with the neoStat-HC our 2&4 Pipe Fan Coil Thermostat with support for 32 zones. The neoApp can operate with Heating, Cooling or both Heating & Cooling Temperatures. 3 Speed Fan Control is also provided in the app on a zone and system level.



Global Mode Programming

When used with a 2 Pipe System, neoApp offers a global mode switch allowing the user to easily switch between Heat or Cool Mode. Independent Mode control is available for 4 Pipe Systems.



Heat & Cool Level Programming

With the neoApp, you can program the heating and cooling profiles for each zone. What's more you can easily copy between days and zones.



neoHub



neoStat



neoHC



neoAir



neoUltra



neo neoUltra Central Control

The neoUltra has been designed to work as a standalone thermostat or as part of an app-controlled Neo system. In addition, the neoUltra can operate as a central controller, providing a single point of access to all of the neoStat, neoAir & neoPlug in the home.

Headline Information

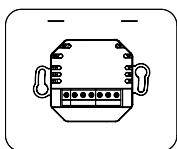
Mounting Type
neoUltra – Flush Mounting

Temperature Range
05-35C
41-95F

Lock Facility
Yes

Indication Type
TFT LCD with Backlight

Dimensions (When installed)
107x89x17mm



Key Features

Thermostat & Central Control
The Heatmiser neoUltra is a thermostat and central control in one, making the neoUltra the perfect addition to your Neo System. Install the neoUltra in a central position in your home and benefit from the always-on central control for all your heating zones, hot water and neoPlugs.

Global Functions
With the Heatmiser neoUltra you can make changes for multiple rooms in your home at the same time. So, whether you want to enable the Away function on your way out or boost the temperature in a couple of rooms, with the neoUltra it couldn't be easier.

Heat or Timer
The Heatmiser neoUltra has been designed to work in thermostat or timer mode, so is perfect for controlling heating zones or timer zones such as towel rails and hot water.

Energy Saving Optimum Start
neoUltra calculates the amount of heat up time required to ensure your home is warm when you wake and return home. This is automatically optimised throughout the year to save money.

| Features | neoUltra |
|-----------------------------------|-------------------|
| Thermostat Mode | Y |
| Timer Mode | Y |
| Temperature Range | 05-35C / 41-95F |
| Display | 3.5" TFT LCD |
| Back Lit Screen | Y |
| Non Programmable | Y |
| 5/2 Day Programming Mode | Y |
| 7 Day Programming Mode | Y |
| 24 Hour Programming Mode | Y |
| Number of Heating Levels | 4 |
| Optimum Start | Y |
| Holiday Function | Y |
| Temperature Hold Function | Y |
| Temperature Override | Y |
| Temperature Override Limit | Y |
| Frost Protection | Y |
| App Control | Y |
| C/F Option | Y |
| Remote Air Sensor Connection | Y |
| Built in Air Sensor | Y |
| Floor Sensing Mode | Y |
| Floor Sensor Included | N |
| Max Switching Current | 3A |
| Accuracy | +/- 1C |
| Adjustable Switching Differential | +/- 3C |
| Supply | 230V AC |
| Output | Volt free contact |
| Installed Dimensions | 107x89x17mm |
| Compatible with neoStat HC | N |





neo Stat

Discreet Smart Thermostat

neoStat has been designed as a standalone thermostat that can be paired to the neoHub when smart control is required. Models are available for conventional heating, electric heating and hot water and a wireless option is available with the neoAir.

Headline Information

Mounting Type

neoStat Flush Mounting
neoAir Surface/Desk Stand

Temperature Range

05-35°C
41-95°F

Lock Facility

Yes - All models

Indication Type

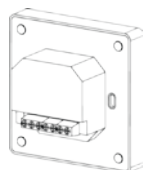
LCD with Back Light

Dimensions

neoStat 85x85x15mm (L,H,D)
neoAir 85x85x26mm

E.U. Back Box

neoStat Only



Key Features



Modern Appearance

The neoStat and neoAir have been designed to compliment any home décor.



Heat or Timer Option

The neoStat has been designed to work as a thermostat or timer, selectable in software. The neoAir can be set to work as a thermostat, timer or combined model that offers heating and timer control – perfect for controlling heating and hot water from a single device. Flexible programming means reduced SKU's for stockists.



Easy Navigation

The neoStat/neoAir series offer an easy to navigate programming system, providing all of the options across the bottom of the back lit display.



Energy Saving Optimum Start

Calculates the amount of heat up time required to ensure your home is warm when you wake and return home. This is automatically optimised throughout the year to save you money.



Wireless Networking

neoStat and neoAir communicate wirelessly to the neoHub to offer a reliable and scalable network system. The mains powered neoStat automatically repeats the data signal from other neoStat/neoAir in the home. If there are no neoStat's installed, the neoAir communicates directly with the neoHub and so the neoPlug or Boost can be used to extend the communication distance.



Soft Touch Operation

Modern touch sensitive keys provide a clean smooth interface, adding further to the premium feel of the neoStat series.



Temperature Hold Facility

Allows you to hold a set temperature for a specific duration - ideal for parties. After which, the thermostat will revert back to the programmed setting.



Battery Model

The neoAir is powered by 4 AAA batteries and provides a totally wire free solution. The neoAir communicates with the UH8-RF and RF Switch Receivers and can be paired to the neoHub to provide App Control.



Remote Sensing

neoStat can be used with a remote air and remote floor sensor, whereas the neoAir has one remote sensor connection that can be used for remote air or floor temperature monitoring.



FEATURES **STANDARD MODELS** **ELECTRIC FLOOR MODEL** **BATTERY MODEL**

Available In Three Stunning Colours

| | neoStat | neoStat-hw | neoStat-e | neoAir |
|--|----------------------|------------|----------------------|----------------------|
| Thermostat Mode | Y | Y | Y | Y |
| Timer Mode | Y | Y | Y | Y |
| Heating & Timer Mode | N | N | N | Y |
| Temperature Range | 05-35 °C 41-95 °F | N/A | 05-35 °C 41-95 °F | 05-35 °C 41-95 °F |
| Back Lit Screen | Y | Y | Y | Y |
| Non-Programmable Mode | Y | N | Y | Y |
| 5/2 Day Programming Mode | Y | Y | Y | Y |
| 7 Day Programming Mode | Y | Y | Y | Y |
| 24 Hour Programming Mode | Y | Y | Y | Y |
| Number of Heating Levels | 4 | N/A | 4 | 4 |
| Optimum Start | Y | N | Y | Y |
| Number of HW Times | 0 | 4 | 0 | 4 |
| Holiday Function | Y | Y | Y | Y |
| Temperature Hold Function | Y | N | Y | Y |
| Temperature Override | Y | N | Y | Y |
| Temperature Override Limit | Y | N | Y | Y |
| Frost Protection | Y | N | Y | Y |
| App Control | Y | Y | Y | Y |
| °C / °F Option | Y | N | Y | Y |
| Remote Air Sensor Connection | Y | N | Y | Y |
| Built In Air Sensor | Y | N | Y | Y |
| Floor Sensing Mode | Y | N | Y | Y |
| Floor Sensor Included | N | N | Y | N |
| Max Switching Current | 3A | 3A | 16A | N/A |
| Accuracy | +/- 1°C | N/A | +/- 1°C | +/- 1°C |
| Adjustable Switching Differential | +/- 1-3°C | N/A | 1-3°C | +/- 1-3°C |
| Supply | 230VAC | 230VAC | 230VAC | 4 x AAA |
| Output | Volt Free Contact | Changeover | 230VAC | N/A |
| Installed Dimensions | 85x85x13mm (L,H,D) | | 85x85x13mm (L,H,D) | 85x85x26mm (L,H,D) |
| Wireless Switching to UH8-RF / RF Switch | N | N | N | Y |



neoStat - Glacier White



neoStat - Sapphire Black



neoStat - Platinum Silver



Thimble Sensor

Part Ref: Heatmiser Thimble Sensor
The Heatmiser Thimble sensor is ideal for discrete temperature monitoring and is compatible with all Heatmiser Thermostats with a remote sensor connection.
Supplied with a 3 meter Cable.



Remote Sensor Probe

Part Ref: Heatmiser MISC103
This remote sensor probe can be used to measure air and floor temperature. This probe is supplied with a 3 meter cable which can be extended to 20 meters if required.



neo Stat-HC

Smart Fan Coil Thermostat

The neoStat-HC is our Smart Fan Coil Thermostat that can be paired to the neoHub. Up to 32 zones can be controlled from the neoApp and support is provided for both 2&4 Pipe Systems.

Headline Information

Mounting Type

Flush Mounting

Temperature Range

05-35°C

41-95°F

Lock Facility

Yes

Indication Type

LCD with White Backlight

Dimensions

neoStat-HC 85x85x13mm

Key Features



Modern Appearance

The neoStat-HC has been designed to complement any home décor.



Flexible System Modes

neoStat-HC incorporates 5 different operating modes, making the neoStat-HC compatible with most fan coil systems. In addition, mode 5 can operate a 2 Stage Heating and single stage cooling system.



Wireless Networking

neoStat-HC communicates wirelessly to the neoHub to offer a reliable and scalable network system. The mains powered neoStat-HC automatically repeats the data signal from other neoStat-HC in the home.



Energy Saving Optimum Start

Calculates the amount of heat up time required to ensure your home is warm when you wake and return home. This is automatically optimised throughout the year to save you money.



Easy Navigation

The neoStat-HC offers an easy to navigate programming system, providing all of the options across the bottom of the back lit display.



Holiday Function

Reduces the set temperature in your home for the duration of your holiday and returns to your programmed setting to ensure your home is comfortable for your return.



Illuminated Touch Keys

The neoStat-HC has illuminated touch keys with proximity sensor making the neoStat-HC easy to program in dark locations.



White Back Light

The neoStat-HC incorporates a cool white backlight that automatically switches off after 30s of inactivity.



Mode Select

The neoStat-HC has a Mode Function allowing the user to easily switch between operating modes. When paired to the neoHub, only available modes are visible.



Fan Speed

The neoStat-HC has a Fan mode, allowing the user to switch between Auto, High, Medium and Low fan speed. In auto, the neoStat-HC will automatically select the correct fan speed in order to maintain the set temperature.

FEATURES

neoStat HC

| | |
|---|--------------------|
| 2 Pipe System - Heat or Cool Mode | Y |
| 2 Pipe System - Cool Only | Y |
| 2 Pipe System - 2 Stage Heating and 1 Stage Cooling | Y |
| 4 Pipe System - Heat, Cool, Auto | Y |
| Temperature Range | 05-35°C 41-95°F |
| Fan Speed Control (Auto, Low, Med, High) | Y |
| Back Lit LCD | Y |
| Non Programmable Mode | Y |
| 5/2 Day Programming Mode | Y |
| 7 Day Programming Mode | Y |
| 24 Hour Programming Mode | Y |
| Number of Levels | 4 or 6 |
| Illuminated Touch Keys | Y |
| Temperature Hold Function | Y |
| Holiday Function | Y |
| Temperature Override | Y |
| °C/°F Function | Y |
| App Control (with neoHub) | Y |
| Built in Air Sensor | Y |
| Max Switching Current | 3A (Resistive) |
| Adjustable Deadband | Y |
| Adjustable Differential | Y |
| Accuracy | +/-1°C |
| Supply | 230v AC |
| Output | 230v AC |
| Installed Dimensions | 85x85x13mm (L,H,D) |



Base Level Water Underfloor Heating & Radiator System

230V Underfloor & Radiator System With Set Back Facility

Our base level water underfloor heating system uses our UH8, 8 Zone wiring centre. With the flush mount set back thermostats and 4 zone touchscreen time clock, this creates a simple, yet cost effective solution.

Headline Information

Connections for

8 x Zone outputs
(suitable for 230v actuators)
230v Output for UFH Pump & Valve Control
Volt Free Boiler Enable

Component Dimensions

Time Clock
110x100x17mm (L,H,D)
Set Back Thermostat
86 x 86 x 19mm (L,H,D)
Wiring Centre
384 x 148 x 60mm (L,H,D)

Providing

Wiring centre, controlling up to 8 zones
4 Zone Master Time Clock
230v Set Back Thermostat in each room

Product List

8 Zone Wiring Centre
Part Ref: Heatmiser UH8
(See page 31)
4 Zone Time Clock
Part Ref: Heatmiser TM4
(See page 09)
Set Back Thermostat
Part Ref: Heatmiser DS-SB
(See page 03)



Key Features



Simple Effective Control

Our base level heating system offers simple but effective control of up to eight zones*. The UH8 wiring centre is the hub of this system and is designed to work with our four channel 230v Time Clock (TM4) and 230v Set Back Thermostat (DS-SB). On board the UH8 are two heating time channels. Each zone allows you to specify which time channel it should follow. Two additional time channel connections are provided for hot water control or other auxiliary devices.

** Additional zones can be controlled with the use of a second UH8.*



Neon Indication

Neon indicators are provided on the UH8 allowing you to see the power, valve, boiler and zone status without the need to remove the cover.



Simple Connectivity

The UH8 allows the connection of up to eight 230v room thermostats. On demand from any zone, a 230v output is provided to switch the relevant zone actuator, underfloor heating pump and valve. A volt free connection is supplied for the boiler, making it compatible with almost all types of boilers.



Set Back Function

The set back function is a simple way of reducing temperature when the heating is timed to be off. Standard dial thermostats are either on or off according to the time clock controlling the system. A set back thermostat is different. It will follow the temperature set on the dial during the timed period and will automatically reduce the set temperature by 4°C when its timed to be off.



DIN Rail Mounting

The UH8 wiring centre can be DIN Rail Mounted for simple, easy installation.



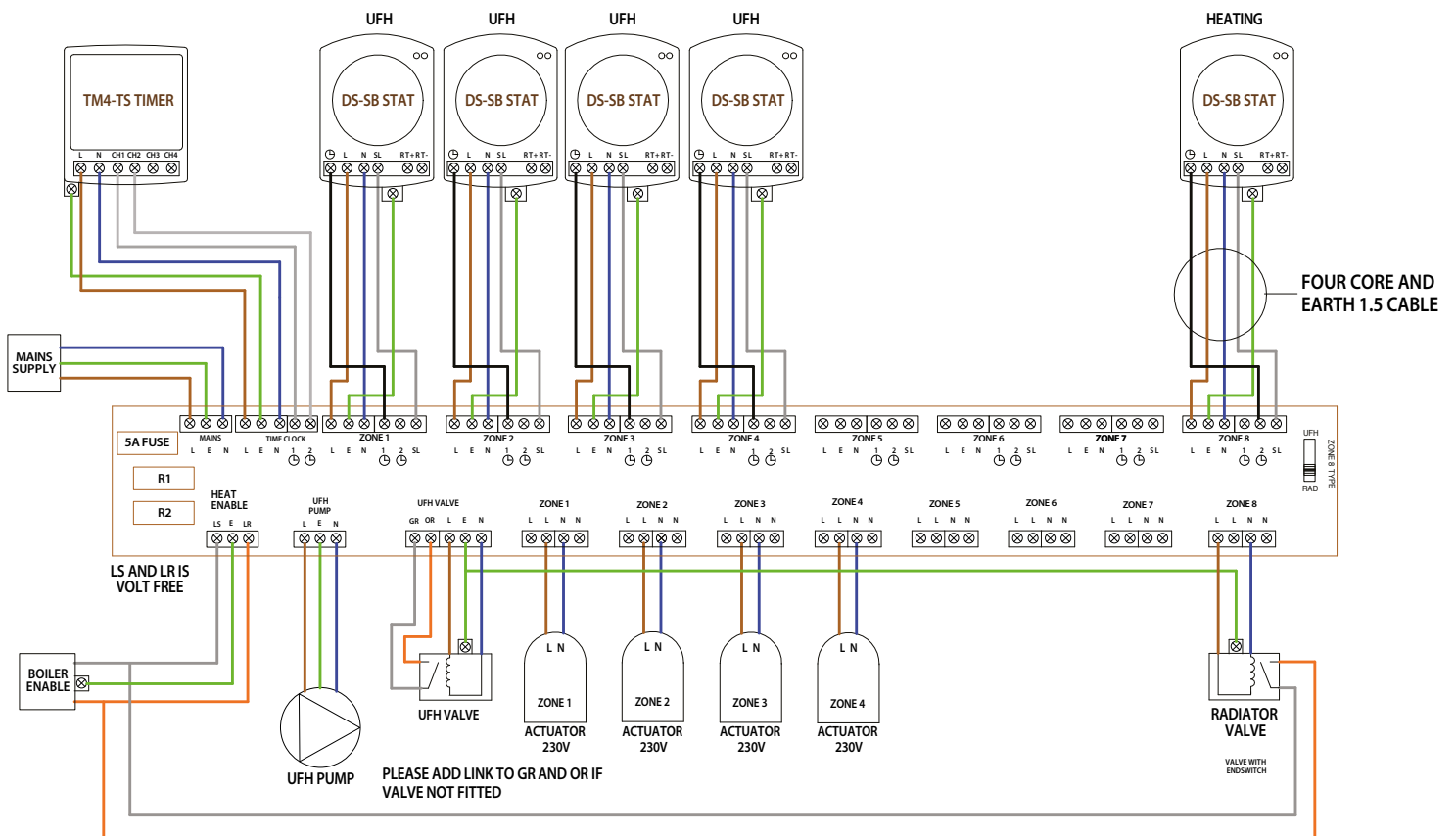
Radiator Zone Control

A simple slide switch makes zone eight suitable for controlling a radiator zone. When used for controlling radiators, zone 8 does not enable the underfloor heating pump, valve and boiler.



230v Models

Are designed to work with our UH8 wiring centre and dial thermostat with set back function, providing simple but effective control.



Standard Products



8 Zone Wiring Centre
Part Ref: Heatmiser UH8



4 Zone Time Clock
Part Ref: Heatmiser TM4-TS



Set Back Thermostat
Part Ref: Heatmiser DS-SB



Wireless Multi Zone App Control System

Designed to be easy to install and operate

Our multi zone wireless system with app control provides a complete solution for those with underfloor or radiators. The neoAir communicates wirelessly with the UH8-RF 8 Zone receiver and the neoHub to offer local and remote control via the neoApp.

Headline Information

Providing

Wiring centre, controlling up to eight zones
Wireless thermostat in each room

Product List

8 Zone Wiring Centre
(expandable up to 792 Zones)
Part Ref: UH8-RF
(See page 30)

Compatible wireless thermostats

Example:
neoAir Wireless Thermostat
Part Ref: neoAir

Optional Products

External Aerial
Part Ref: EA1

Wireless Repeater
Part Ref: Boost/neoPlug

Internet Gateway
Part Ref: neoHub

Key Features



Simple Pairing Process

Up to 99 UH8-RF's can be used within the same building, allowing control of up to a possible 792 zones. Each UH8-RF has an address setting clearly marked on the PCB. This address, along with the relevant zone number is configured in the thermostat and that's it – a simple to install, setup and operate system.



Hot Water Control

The UH8-RF also takes care of the hot water. A volt free changeover output is provided for the cylinder stat/hot water valve. The neoAir provides time and temperature control of the heating and time control of the hot water.



Pump & Boiler Delay

The UH8-RF offers an optional pump and boiler delay feature. This 2 minute delay is designed to prevent boilers from going to lockout by giving the zone actuators time to open.



Radiator or Underfloor

A software option in the thermostat allows you to configure which zones are underfloor heating and which zones are radiators. Radiator zones will not enable the underfloor heating pump and underfloor heating valve where there is a call for heat.



App Control

When paired to a neoHub, the neoAir can be controlled from the neoApp – available on WindowsPhone, iOS and Android. Up to 32 neoAir can be paired to a single neoHub. For systems with more zones, additional neoHubs would be required.



DIN Rail Mounting

The UH8-RF wiring centre can be DIN Rail Mounted for simple, easy installation.



neoPlug Compatible

The neoPlug can be used to extend the wireless coverage between the thermostat and neoHub and also the switching receiver. In addition, the power outlet can be controlled from the neoApp.

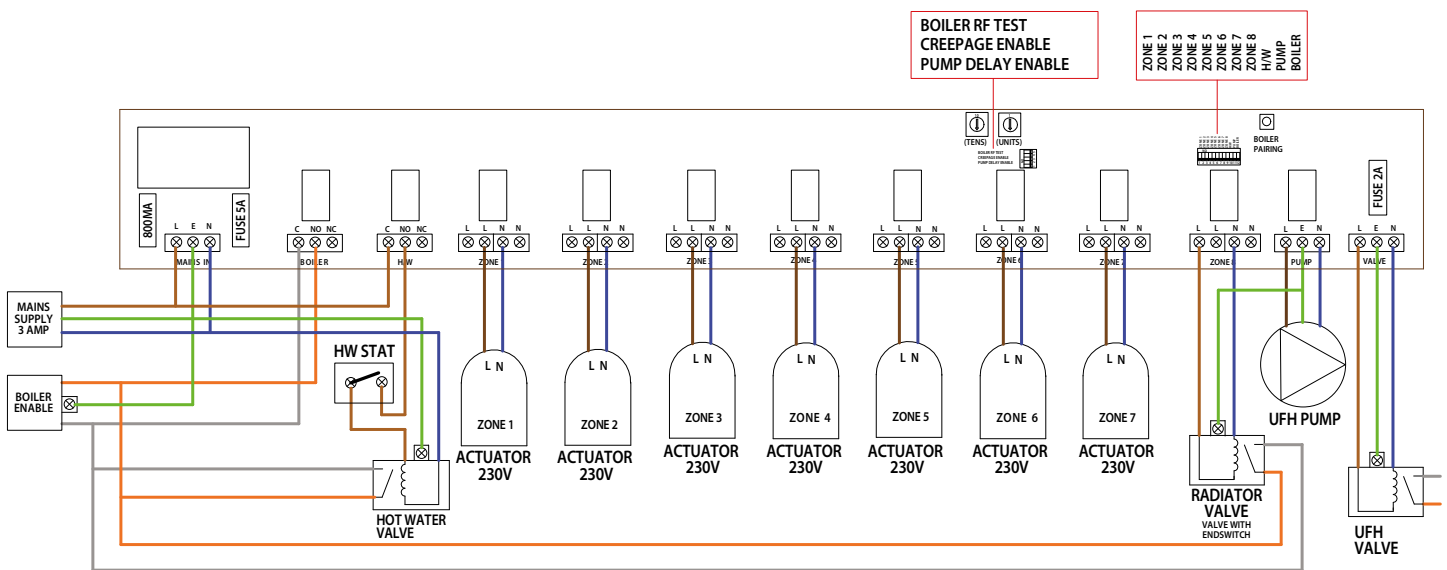
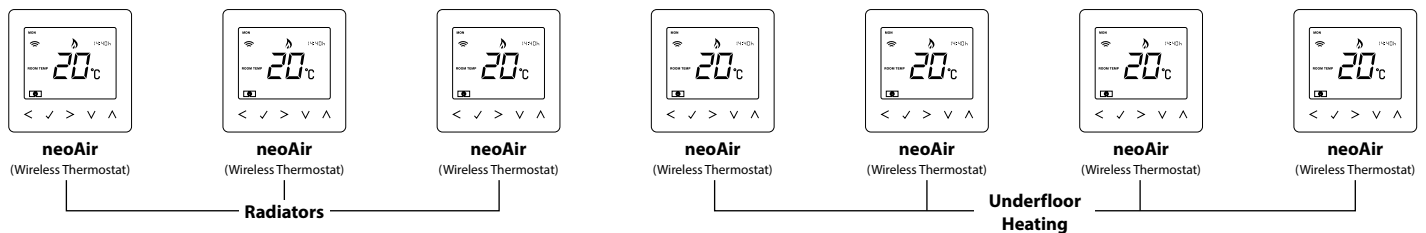


HomeKit Compatible

HomeKit and the Home app in iOS lets you securely control any "Works with Apple HomeKit" accessory. You can also organize your accessories by room, manage multiple accessories at the same time, control your home with Siri, and more.



Works with
Apple HomeKit



Standard Products



8 Zone Wiring Centre
Part Ref: Heatmiser UH8-RF



neoAir
Glacier White



Optional
Desk Stand



neoHub
Part Ref: neoHub



Low Voltage Network Control Solution

Total control of your home heating system

Our deluxe system uses our 12v Network Thermostats to create a truly flexible and expandable system. Use the Heatmiser Touchpad for instant access to your heating system.

Headline Information

Providing

Wiring Centre, controlling up to 8 zones
12v Programmable Thermostats in each room
Optional Central Control

Product List

8 Zone Wiring Centre
(expandable up to 32 Zones)
Part Ref: Heatmiser UH8-N
(See page 30)

Slimline Thermostat
Part Ref: Heatmiser Slimline-N
(See page 04-05 for complete slimline range)

Cable Type

Belden 9538 or Cat5(e)-ftp

Optional Products

Central Control
Part Ref: Heatmiser TouchPad
(See page 28-29 for details)

Key Features

32
ZONES

Complete Network Control

Our deluxe heating system offers control of up to 32 zones. What's more, it provides the ability to control the entire heating system centrally, with the TouchPad. Designed to be used with our Slimline-N Thermostats, our deluxe heating system really is a complete package for those wanting superior control of their heating system.



Hot Water Control

The UH8-N also takes care of the hot water. A cylinder thermostat connection and a 230v hot water valve output are provided. Controlling the hot water from the UH8-N makes sense, not only because it simplifies the wiring, but also because it enables you to control your hot water centrally from the TouchPad.



Simple Connectivity

The UH8-N allows the connection of up to eight 12v Network Thermostats. On demand from any zone, a 230v output is provided to switch the relevant zone actuator, underfloor heating pump and valve. A volt free connection is supplied for the boiler, making it compatible with almost all types of boilers.



Radiator Zone Control

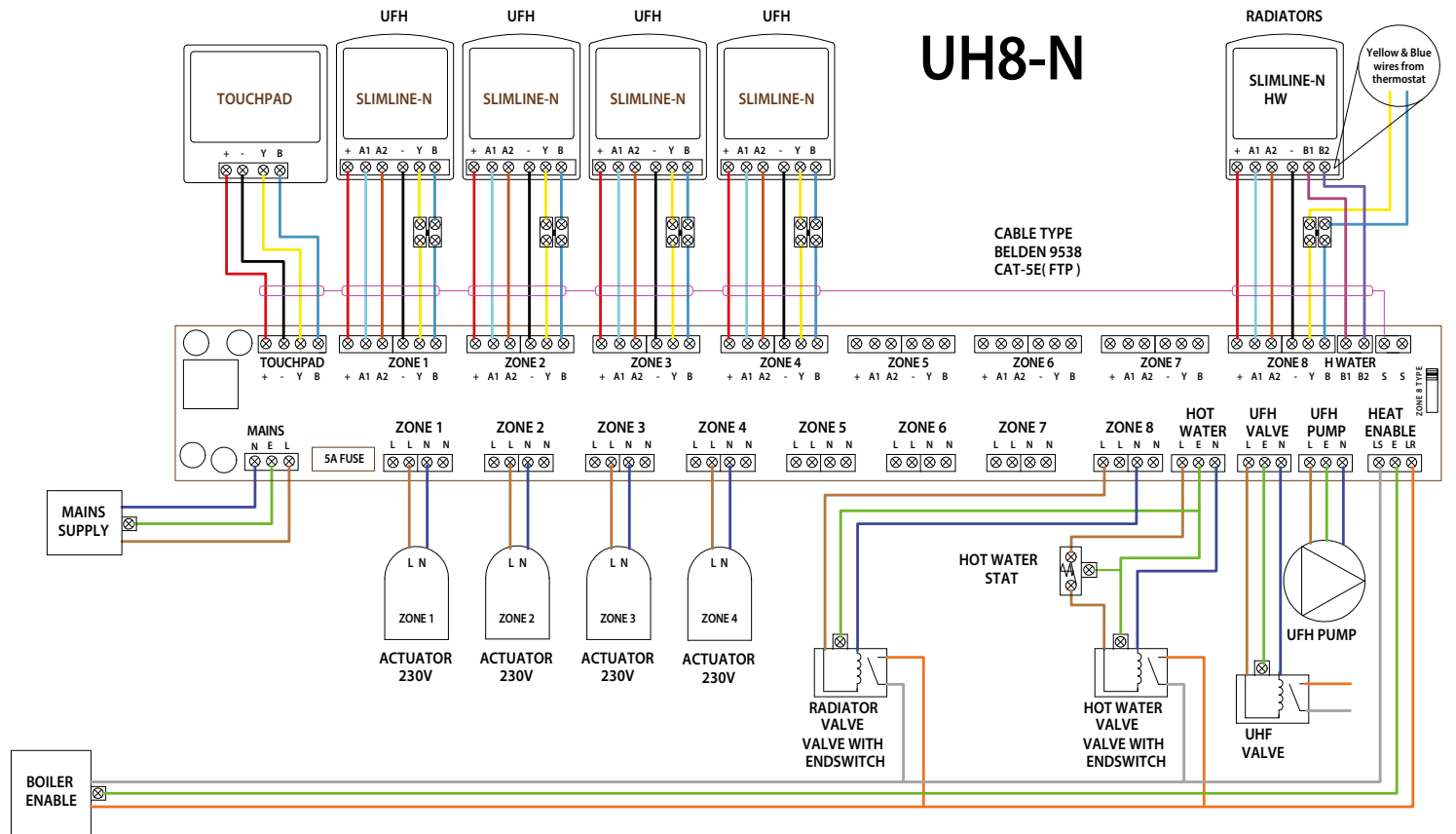
A simple slide switch makes zone 8 suitable for controlling a radiator zone. When used for controlling radiators, zone 8 does not enable the underfloor heating pump or valve.

Optional Products

Central Control

Control up to 32 rooms from our TouchPad and benefit from total control of your heating system at your fingertip.





Standard Products



8 Zone Wiring Centre
Part Ref: Heatmiser UH8-N



Slimline Thermostat
Part Ref: Heatmiser Slimline-N



neo Mains Voltage Network System

Network control of your mains wired heating system from your Smartphone and Tablet

Our Mains Wired Neo Network is perfect for new build and retrofit markets. Don't worry about installing CAT5 cabling or WiFi Network coverage around the home, our Neo Network System offers a simple to install system that is expandable.

Headline Information

Connections for

8 x Zone outputs
(suitable for 230v actuators)
230v Output for UHF Pump and Valve control
Volt free Boiler Enable

Component Dimensions

UH8 Wiring Center
384 x 148 x 60mm (L,H,D)

Providing

Wiring centre, controlling up to 8 zones
8 Neo Mains Network Thermostats

Product List

8 Zone wiring centre
Part ref: Heatmiser UH8
(See page 31)
7 x neoStat in Heating mode
1 x neoStat in Timer mode
(See page 16-17)
NeoHub

Optional Products

Heatmiser Boost/neoPlug has been designed to extend the range of your Neo System, ensuring the network can reach every part of your home.

Key Features

Neo Network

The Neo Network System is designed to provide reliable communication of the thermostat data whilst at the same time providing an extended communication range. Each neoStat thermostat acts as a repeater on the network, helping to eliminate range issues which are common on standard RF systems.

Easy Upgrade

Customers with existing 230v thermostats can upgrade to the Neo Network System and take control of their system from anywhere. The neoHub gateway connects the neoStats to the internet for access via a Smartphone or Tablet both in the home and remotely from anywhere in the world.

Simple Connectivity

The UH8 allows the connection of up to eight 230v thermostats. On demand from any zone, a 230v output is provided to switch the relevant zone actuator, underfloor heating pump and valve. A volt free connection is supplied for the boiler, making it compatible with almost all types of boilers.

Radiator Zone Control

A simple slide switch make's zone eight suitable for controlling a radiator zone. When used for controlling radiators, zone 8 does not enable the underfloor heating pump, valve and boiler.

Neon Indication

Neon indicators are provided on the UH8 allowing you to see the power, valve, boiler and zone status without the need to remove the cover

neoStat Thermostat Flexibility

The neoStat can be set to operate in heating or timer mode, allowing the installer to select on installation if the thermostat will be used to control a heating zone or a timed appliance, such as the hot water or perhaps a towel rail.

DIN Rail Mounting

The UH8 wiring centre can be DIN Rail Mounted for simple, easy installation.

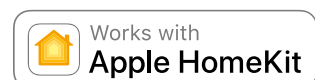
neoPlug Compatible

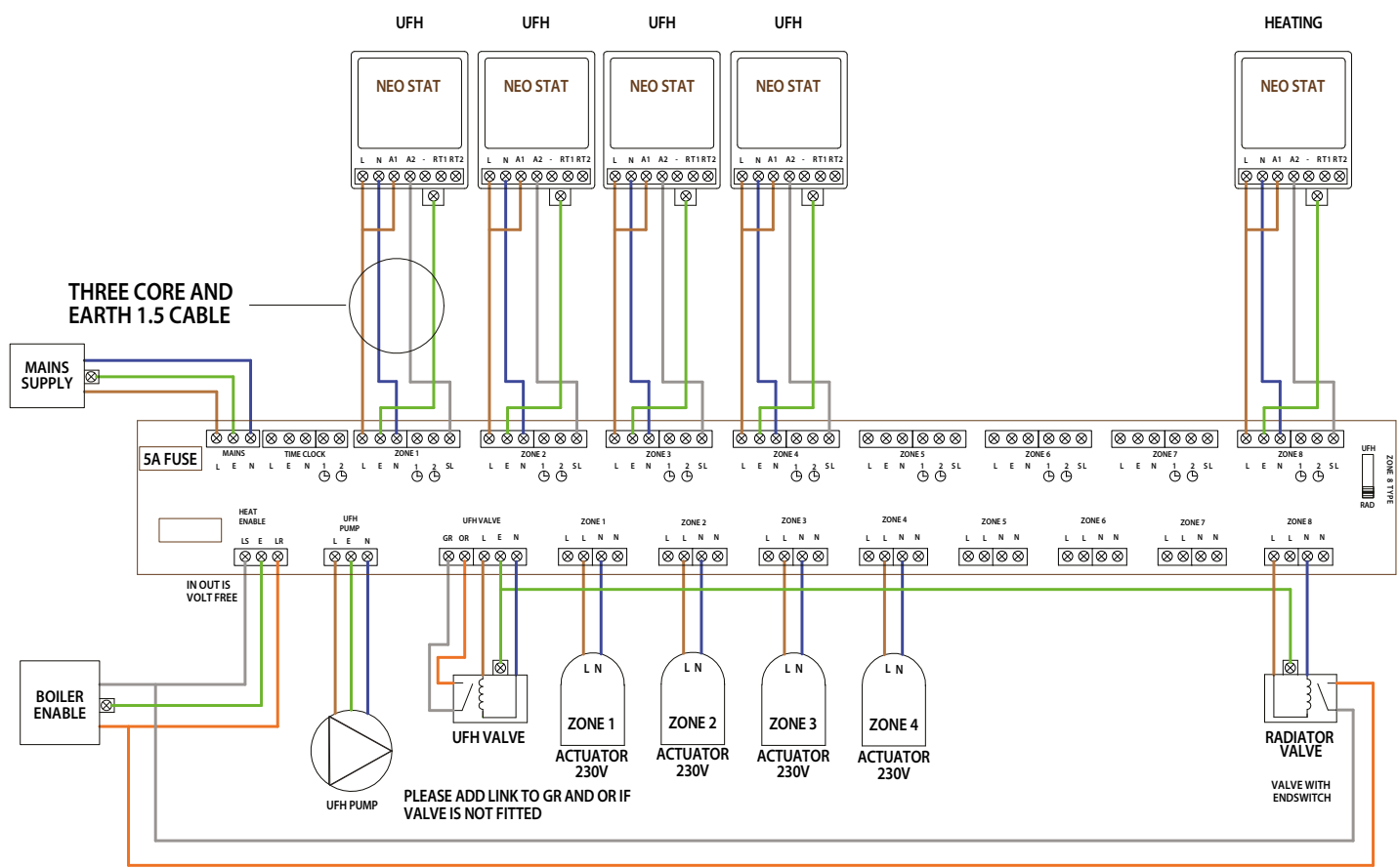
The neoPlug can be used to extend the wireless coverage between the thermostat and neoHub and also the switching receiver. In addition, the power outlet can be controlled from the neoApp.



HomeKit Compatible

HomeKit and the Home app in iOS lets you securely control any "Works with Apple HomeKit" accessory. You can also organize your accessories by room, manage multiple accessories at the same time, control your home with Siri, and more.





Standard Products



8 Zone Wiring Centre
Part Ref: Heatmiser UH8



neoStat (Heat Mode)
Part Ref: neoStat



neoStat (Timer Mode)
Part Ref: neoStat



neoHub
Part Ref: neoHub



Neo Central Control
Part Ref: Heatmiser neoUltra



neo Fan Coil Network System

App Control of your Multi-Zone Fan Coil System.

Headline Information

Number of Zones
32 Zones

System Compatibility

- 2 Pipe System – Selectable Heat Or Cool
- 2 Pipe System – Cool Only
- 2 Pipe System Heat or Cool (Fans for Cooling)
- 4 Pipe System Heat, Cool & Auto
- 2 Pipe System 2 Stage Heating & Cooling

Product List

- neoStat-HC
- neoHub
- neoApp

Optional Products

Heatmiser Boost / neoPlug has been designed to extend the range of your Neo System, ensuring the network can reach every part of your home.



Key Features

App Control - Easy Upgrade
For those with an existing fan coil thermostat, upgrading to neoStat-HC couldn't be easier. Simply replace your existing thermostat with neoStat-HC and pair to the neoHub. Now you have app control of your fan coil system.

Neo Network
The Neo Network System is designed to provide reliable communication of the thermostat data whilst at the same time providing an extended communication range. Each neoStat-HC act as a repeater on the network, helping to eliminate range issues which are common on standard RF systems.

HomeKit Compatibility
HomeKit is the smart home platform from Apple. With HomeKit you have voice control of your fan coil system with Siri and you can create smart home scenes and automation rules with the free Apple Home app.

Flexible Mode Support
neoStat-HC offers an intuitive software setup that covers the majority of fan coil system modes, helping you to reduce the number of SKUs you need to carry.

System-wide Mode
For 2 Pipe Systems, a system-wide switch is provided making it extremely easy to switch all zones between heating and cooling. This function removes the need to manually switch over each thermostat and ensures the correct modes are available to the user.

System-wide Fan Control
Within the neoApp, a system wide fan control is provided allowing the user to globally set the required fan speed.

Geo Location
Geo Location uses the mobile phone masts, nearby WiFi and your GPS to calculate your position. When you leave home, Neo will automatically run your leaving actions – turning off your heating/cooling and saving energy. When you arrive home, your Neo system will run your returning actions – ensuring you return to a comfortable home.

Simple Programming
The neoApp provides programming of each zone on the system. In addition to zone programming, you can also copy the program of one zone to another and also copy between days too.



Flexible System Modes

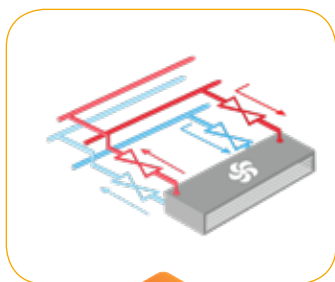
NeoStat-HC has been designed to support the majority of fan coil systems through our easy software setup.

What's more, the neoApp provides intuitive control by automatically reflecting the available modes to the user.

For 2 Pipe Systems a System-Wide switch is provided that makes moving between heating & cooling extremely user friendly.

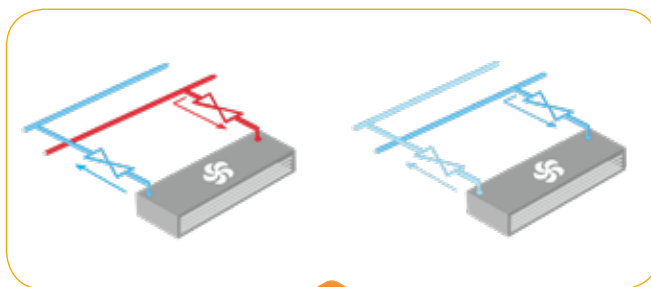
4 Pipe Heat, Cool & Auto

This mode provides independent heating & cooling control for each zone



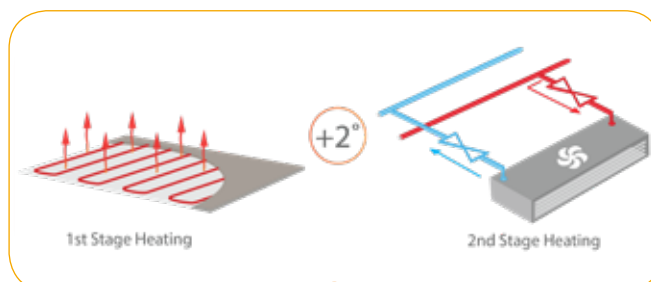
2 Pipe Heat or Cool System

This mode provides heating or cooling as a system-wide switch in the neoApp.



2 Pipe Cooling & 2 Stage Heating

This mode provides system-wide 2 Stage Heating (Fan Coil & Floor Heating) and Fan Coil Cooling



Standard Products



neoStat (Heat Mode)
Part Ref: neoStat-HC



neoHub
Part Ref: neoHub





Central Wiring Switch Boxes

Multi-zone wiring centres - Designed to make installation simple

Our central wiring switch boxes have been designed to simplify the wiring process. Using our wiring centres in your application means that the actuator, boiler and pump connections are wired from a single point.



12v

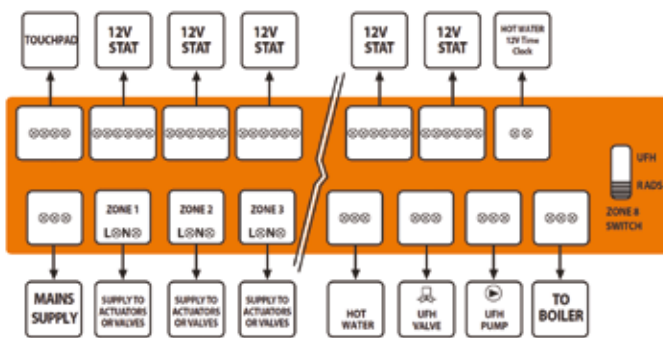
12v 8 Zone Wiring Centre
Part Ref: Heatmiser UH8-N

The UH8-N is designed to be used in conjunction with our 12v network thermostats. The UH8-N provides central switching and is therefore ideally situated next to the underfloor heating manifold. Eight zones can be controlled as well as providing an output for a hot water cylinder. On demand from any zone, a 230v output is provided to switch the relevant zone actuators, underfloor heating pump and valve. A volt free connection is supplied for the boiler, making it compatible with almost all types of boilers. Up to six actuators can be connected to each zone. An option is provided to turn zone 8 into a radiator zone. In this mode the underfloor heating pump, valve and boiler are not enabled when there is a call for heat from zone 8.

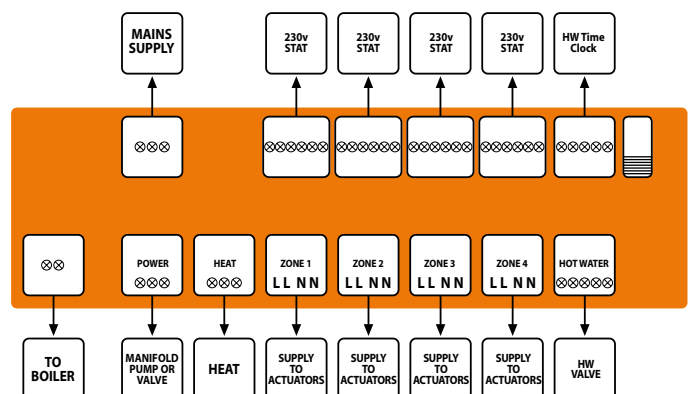
230v

230v 4 Zone Wiring Centre
Part Ref: Heatmiser UH4

The UH4 can be used in conjunction with our mains thermostats. The UH4 provides central switching of up to four zone actuators as well as providing an output for a hot water cylinder and the heating system boiler and pump. When used for underfloor heating, an option is available to use zone 4 for conventional radiator control. Up to six actuators can be connected to each zone.



Heatmiser UH8-N

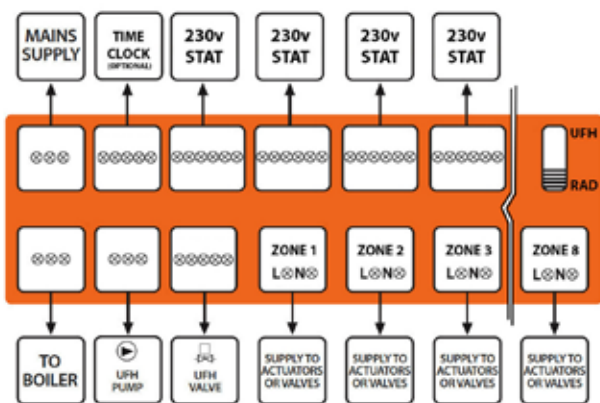


Heatmiser UH4



230v **230v 8 Zone Wiring Centre**
Part Ref: Heatmiser UH8

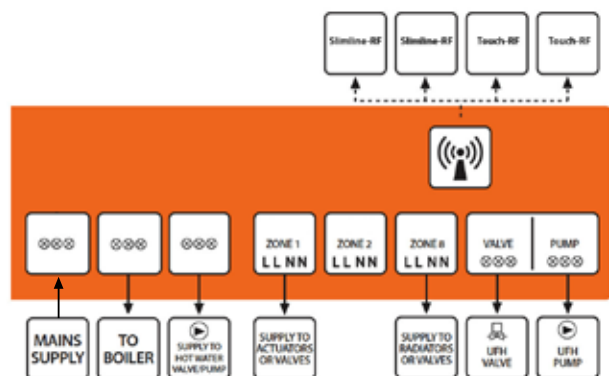
The UH8 is designed to work with our four channel 230v time clock (TM4) and 230v Set back thermostat (DS-SB) but equally could be used with any 230v room thermostat. Up to eight zones can be controlled from the UH8. On board the UH8 are two heating time channels, each zone allows you to specify which time channel it should follow.



Heatmiser UH8

230v **Wireless 230v 8 Zone Wiring Centre**
Part Ref: Heatmiser UH8-RF

The UH8-RF is designed to be used in conjunction with our compatible wireless thermostats. The UH8-RF provides central switching and is therefore ideally situated next to the underfloor heating manifold. Eight zones can be controlled as well as providing an output for hot water control. On demand from any zone, a 230v output is provided to switch the relevant zone actuators, underfloor heating pump and valve. A volt free connection is supplied for the boiler, making it compatible with almost all types of boilers. Up to six actuators can be connected to each zone. An external aerial is available for use when the UH8-RF is being mounted in a metal cupboard or when the wireless signal is restricted. A software option in the thermostat allows you to configure which zones are underfloor heating and which zones are radiators.



Heatmiser UH8-RF

UH8-RF is not suitable for use in Australia.

Accessories

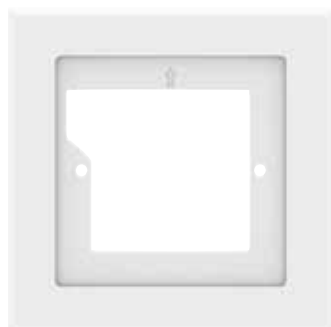
A range of accessories compatible with the Heatmiser products.



neoPlug

The Heatmiser neoPlug is a smart plug and wireless repeater for the RF and Neo System. Switching times can be programmed into the neoPlug or you can control the output manually via the neoPlug or from anywhere using the neoApp.

The neoPlug is great for controlling lamps and because neoHub works with IFTTT, the neoPlug can turn on and off based on sunrise and sunset conditions.



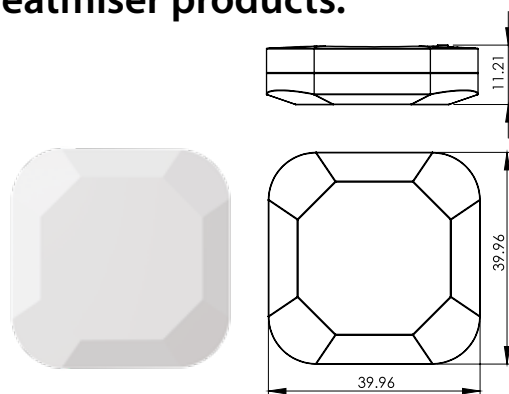
neoStat/neoAir Wall Plate

The neoStat/neoAir wall plate is perfect for those looking to upgrade to Neo but not wishing to redecorate at this time. The wall plate is 110x100x6mm.



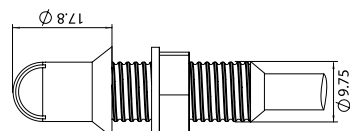
TA230 Thermal Actuator

- 230 powered
- 2 wire Normally Closed
- M30 Thread



Wireless Air sensor

The Wireless Air Sensors work with our Edge & Touch series to provide temperature monitoring, or for those using in conjunction with the built-in air sensor, temperature averaging facility.



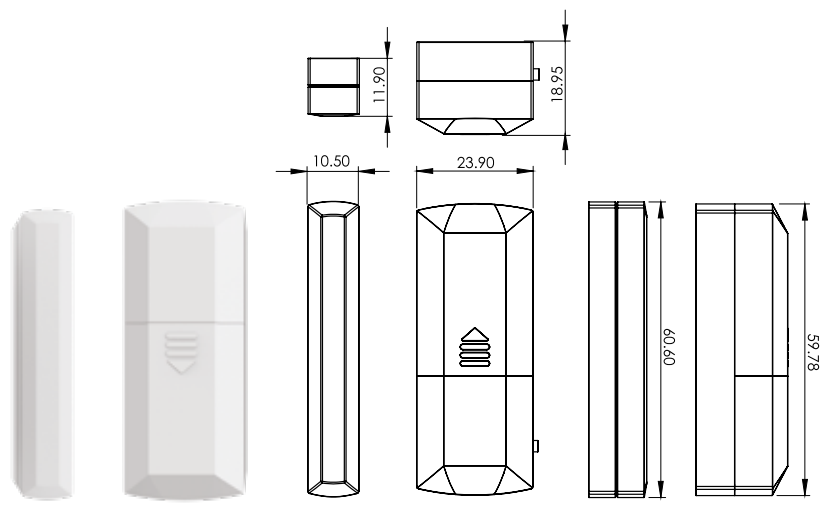
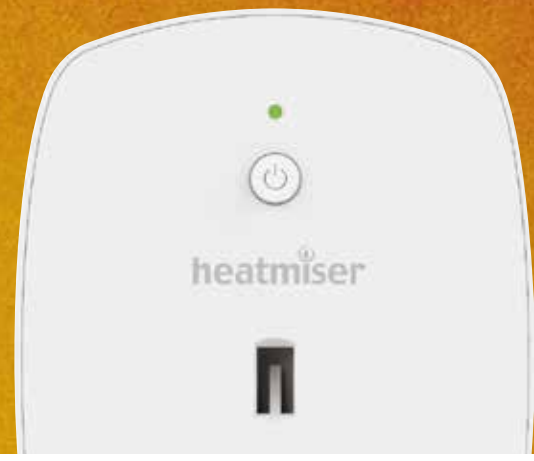
Thimble Air Sensor

The Thimble sensor provides discreet temperature monitoring and is compatible with all Heatmiser Thermostats with a remote air sensor connection.



Remote Air / Floor Probe

The remote air/floor probe is supplied with all of our electric floor heating thermostats but can also be used with selected other models to provide floor temperature limiting or remote air temperature monitoring.



Wireless Door & Window Door Contact Switch

The Door/Window Switch works with the Edge & Touch series and provides an easy way to save energy. When paired with the Edge or Touch, the heating will switch off whenever the door/window is opened.



Heatmiser Boost  

The Heatmiser Boost is our surface mount 230v powered wireless repeater for the RF and Neo System, designed to extend the communication distance between the thermostat and receiver.



Heatmiser neoAir Stand

The neoAir Stand is perfect for those not wanting to install the neoAir on the wall. The neoAir Stand is perfectly balanced and angled to provide easy viewing of the thermostat display.



Remote Sensor Enclosure

The remote sensor enclosure can be used to hide the remote air sensor probe. Size: 80x80x20mm



Heatmiser TouchPad

The Heatmiser TouchPad provides central control of your home heating system and is compatible with the 12v -N series thermostats. Up to 32 thermostats can be paired to the TouchPad and features like Temperature Hold, Comfort Level Programming, Holiday & Away can be performed across all connected zones.



Heatmiser UK Ltd
 1-5 Hurstwood Court, Mercer Way
 Shadsworth Business Park, Blackburn
 Lancashire. BB1 2QU, England
 Tel: +44 (0)1254 669090
 Fax: +44 (0)1254 669091
 Email: sales@heatmiser.com

Registered in England: 3747773
 WEEE Registration Number: WEE/GF0052TQ



Twitter: @heatmiseruk



Facebook: facebook.com/thermostats